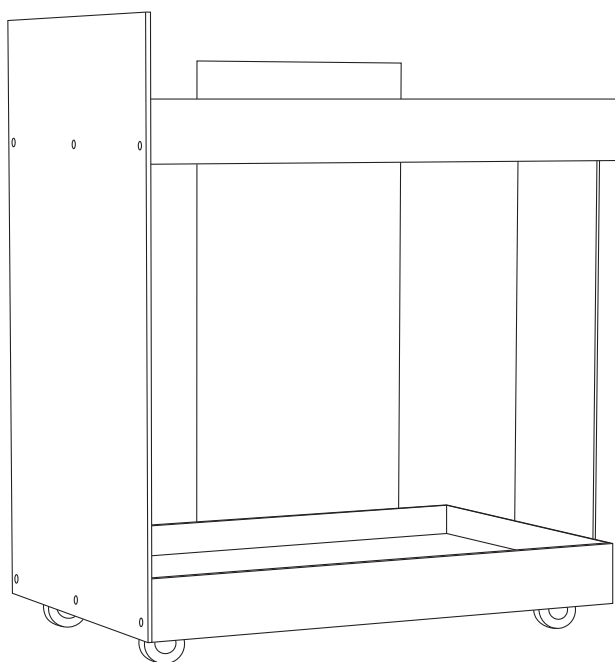


Lager Trolley

Assembly manual



ferm
L I V I N G

General Instructions

PLEASE READ BEFORE INSTALLATION

WARNING:

The safety of this fitting can only be guaranteed if the following instructions are observed during both installation and use. Please retain these instructions safely after installation.

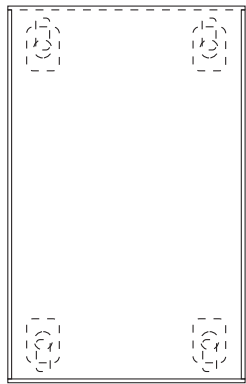
PLEASE OBSERVE THE FOLLOWING GUIDELINES:

- Ensure that all screws are firmly tightened before using the couch.

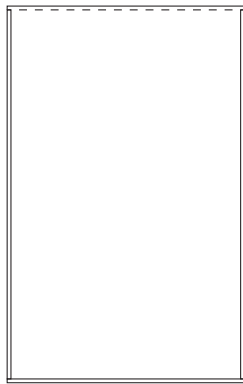
MORE INFORMATION:

To access further information such as product overview and material descriptions, please visit our website at www.fermliving.com. If you have any questions or comments, please do not hesitate to contact us at info@fermliving.com.

Box Content



1 x Bottom tray



1 x Top tray



18 x Washer



18 x Bolt



18 x Screw



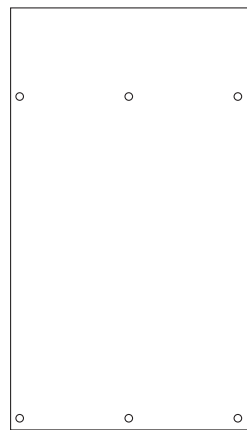
1 x Allen Key



1 x Side panel (B)



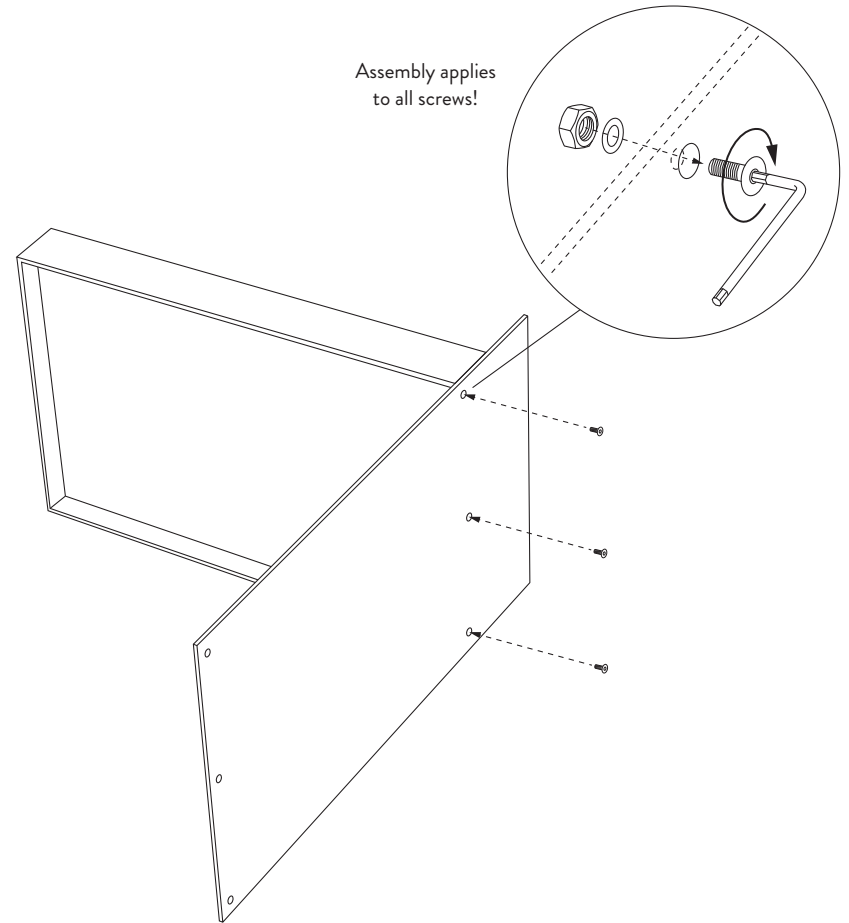
1 x Side panel (C)



1 x Side panel (A)

Assembly Process

1

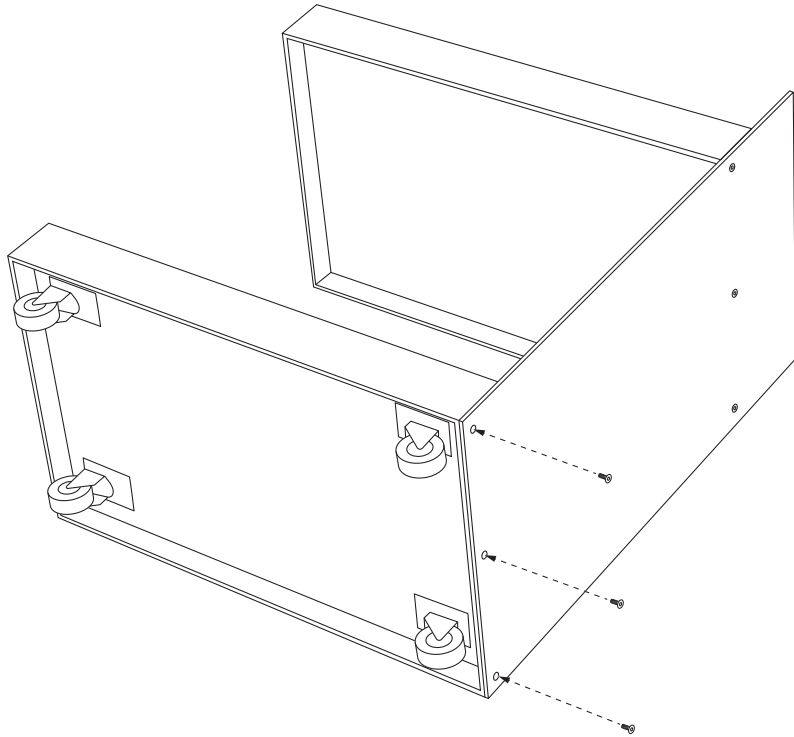


Assembly applies to all screws!

Place the top tray on its side on a soft surface on the floor.
Fit the side panel (A) with 3 screws, washers and bolts as shown.
Use the Allen key and tighten with a spanner

Assembly Process

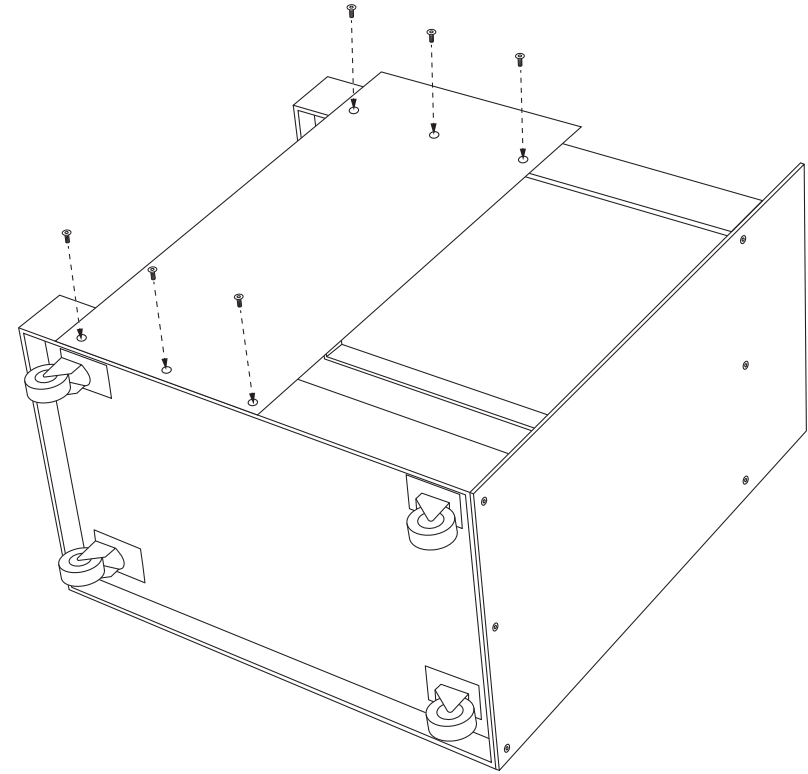
2



Mount the bottom tray with 3 screws, washers and bolts. (Follow step 1 for screw assembly)

Assembly Process

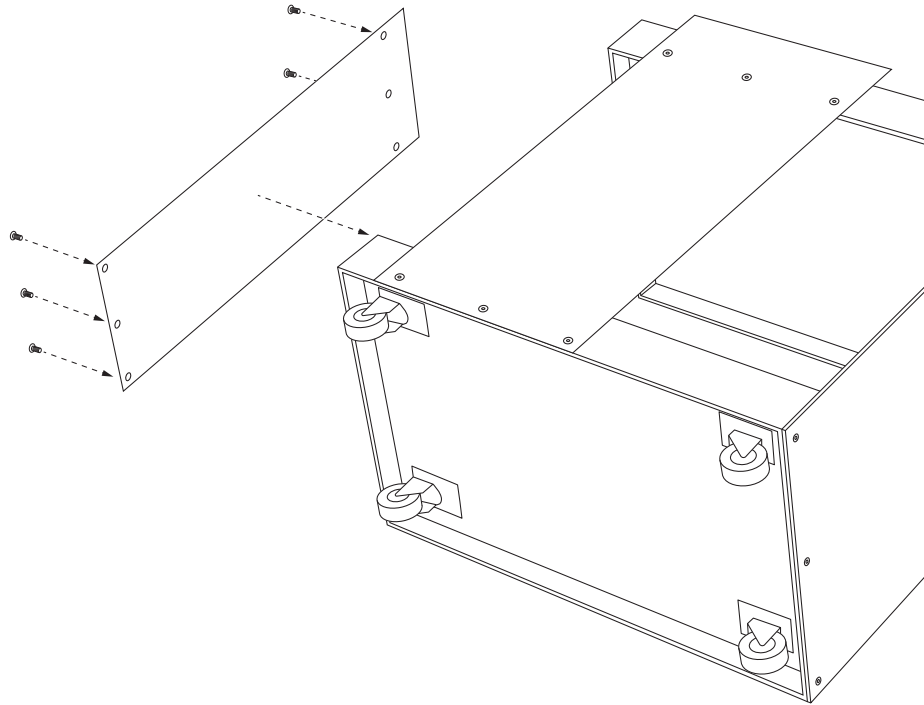
3



Mount the side panel (B) with 6 screws, washers and bolts. (Follow step 1 for screw assembly)

Assembly Process

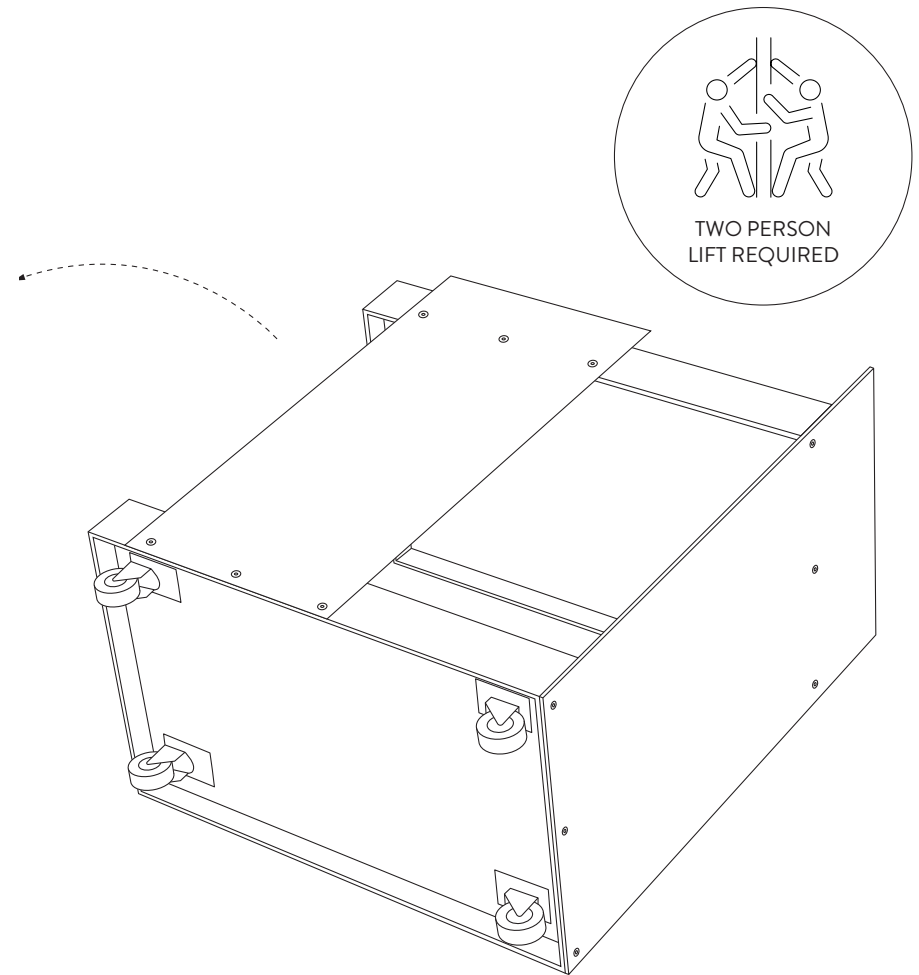
4



Mount the side panel (C) with 6 screws, washers and bolts.
(Follow step 1 for screw assembly)

Assembly Process

5



Tilt the trolley up. Requires two people

fermliving.com